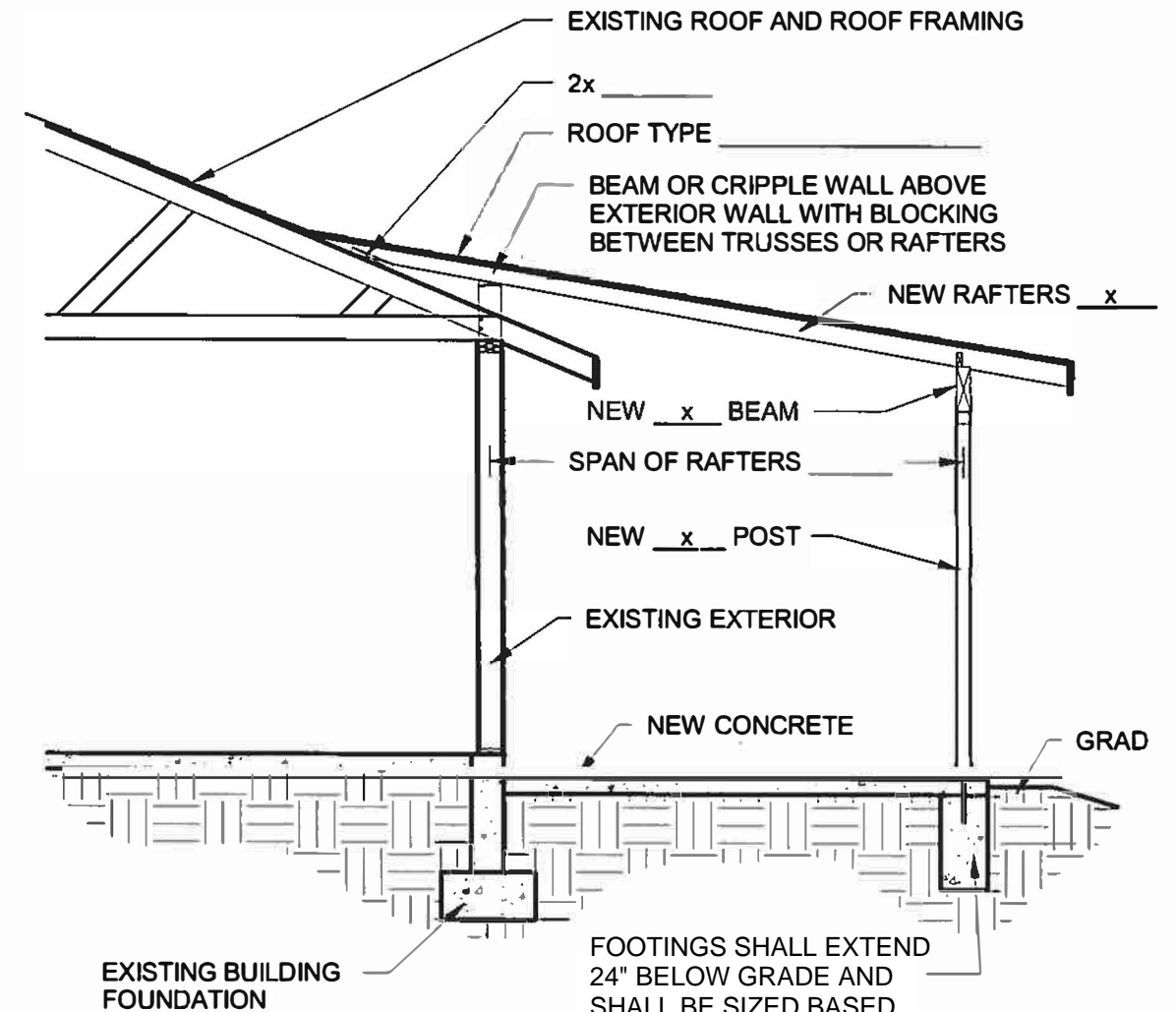
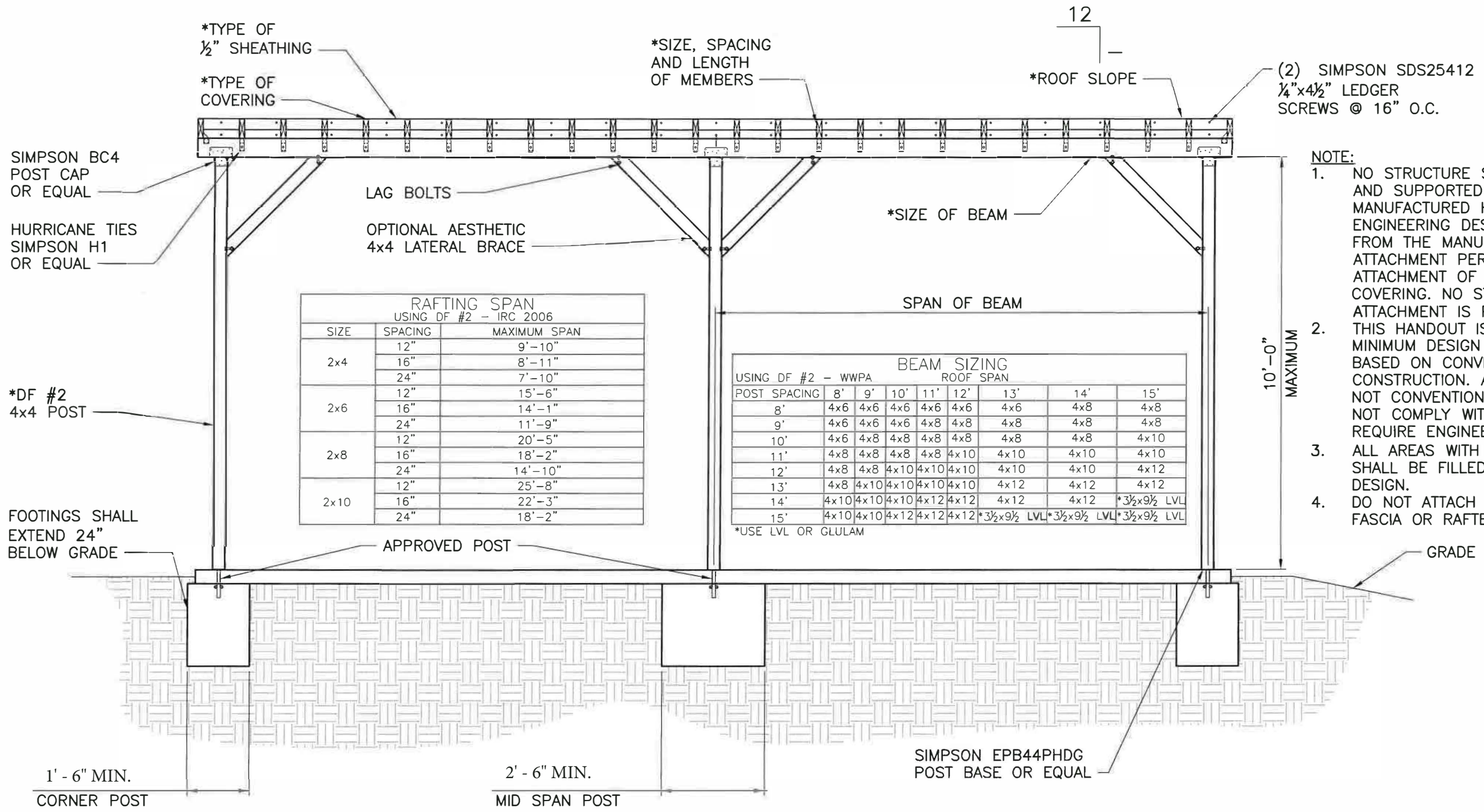


2 FLOOR PLAN
1/4" = 1'-0"



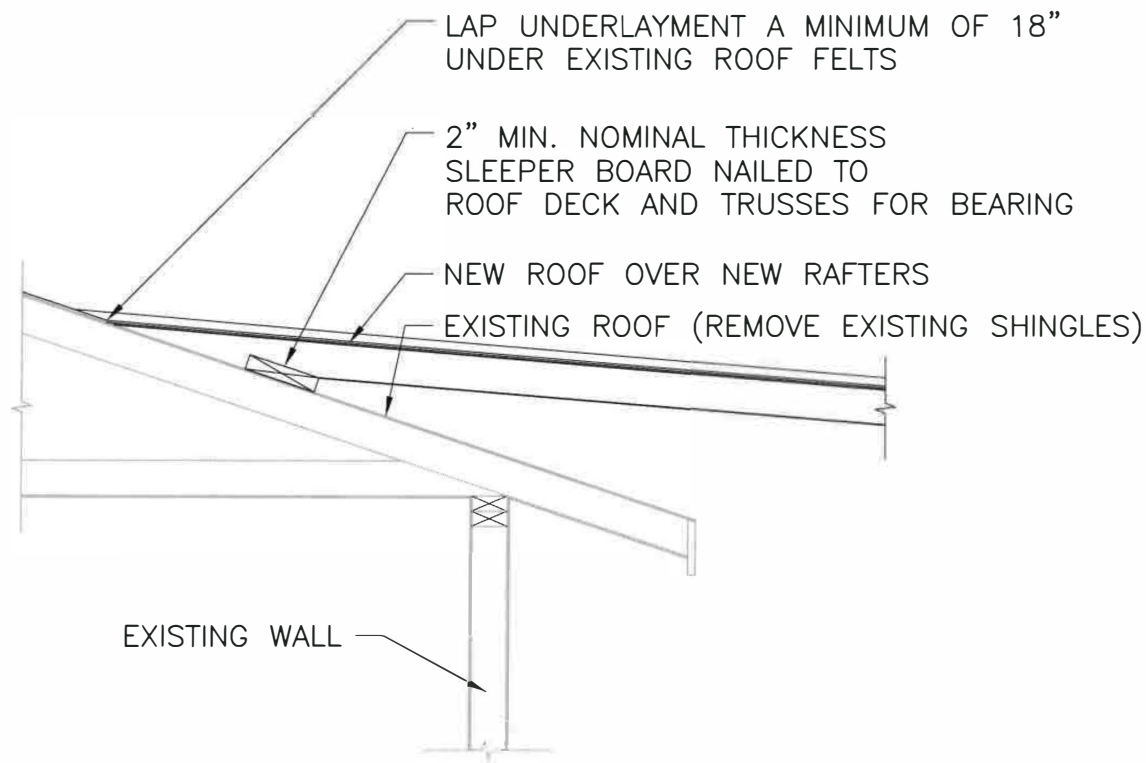
1 SECTION THRU BUILDING
1/4" = 1'-0"

| | | |
|---|-------------------------------|--------------------|
| PATIO COVER GUIDE CITY OF NAMPA BUILDING DEPARTMENT | ROOF FRAMING / SECTION | SHEET 1 |
| | | SCALE 1/4" = 1'-0" |

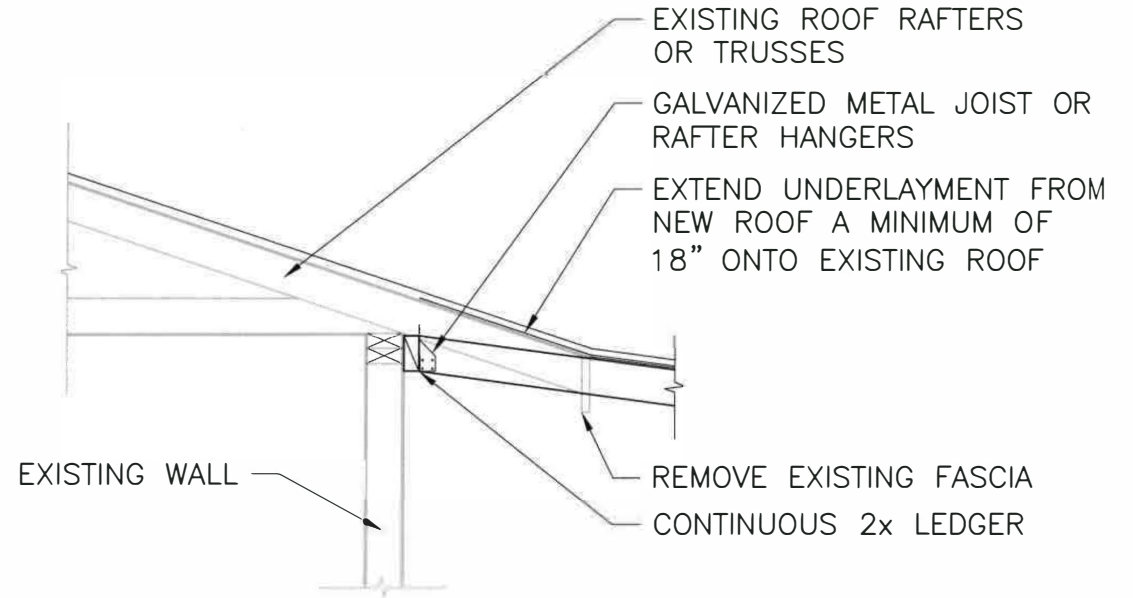


- NOTE:**
1. NO STRUCTURE SHALL BE ATTACHED AND SUPPORTED OFF A MANUFACTURED HOME WITHOUT ENGINEERING DESIGN AND APPROVAL FROM THE MANUFACTURER. THE ONLY ATTACHMENT PERMITTED IS THE ATTACHMENT OF THE ROOF COVERING. NO STRUCTURAL ATTACHMENT IS PERMITTED.
 2. THIS HANDOUT IS A GUIDE FOR MINIMUM DESIGN REQUIREMENTS BASED ON CONVENTIONAL FRAMED CONSTRUCTION. ANY DESIGN THAT IS NOT CONVENTIONAL FRAME OR DOES NOT COMPLY WITH THIS DETAIL MAY REQUIRE ENGINEERING.
 3. ALL AREAS WITH AN ASTERISK (*) SHALL BE FILLED IN WITH PROPOSED DESIGN.
 4. DO NOT ATTACH ROOF TO EXISTING FASCIA OR RAFTER TAILS.

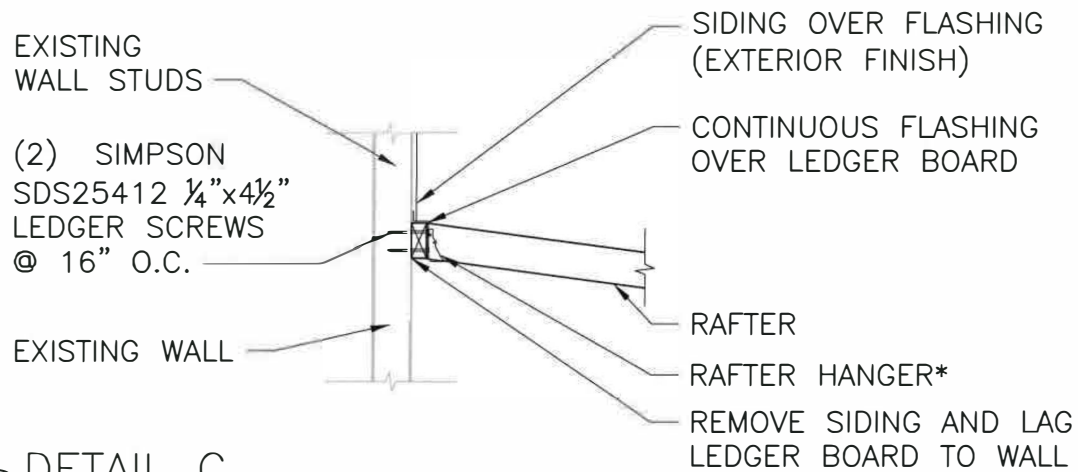
SEE SUPPLEMENTAL SIZING NOTES



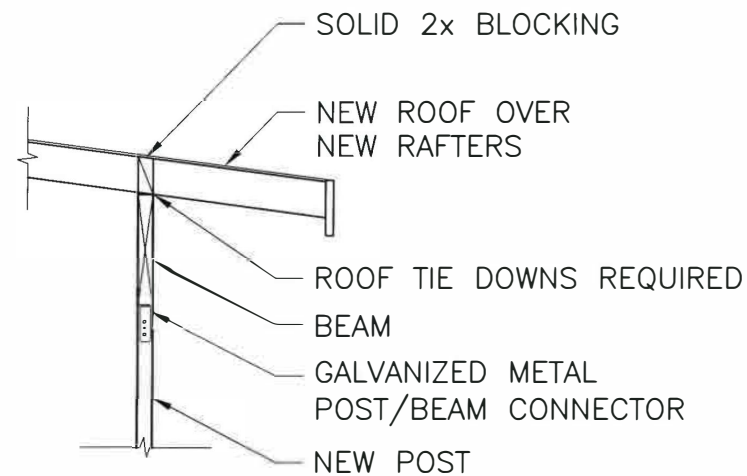
Ⓐ DETAIL A
NTS



Ⓑ DETAIL B
NTS



Ⓒ DETAIL C
NTS



Ⓓ DETAIL D
NTS

*RAFTER HANGERS:
 FOR 2x4 RAFTER: SIMPSON U24 OR EQUIVALENT
 FOR 2x6 RAFTER: SIMPSON LRU26Z OR EQUIVALENT
 FOR 2x8 RAFTER: SIMPSON LRU26Z OR EQUIVALENT
 FOR 2x10 RAFTER: SIMPSON LRU210Z OR EQUIVALENT