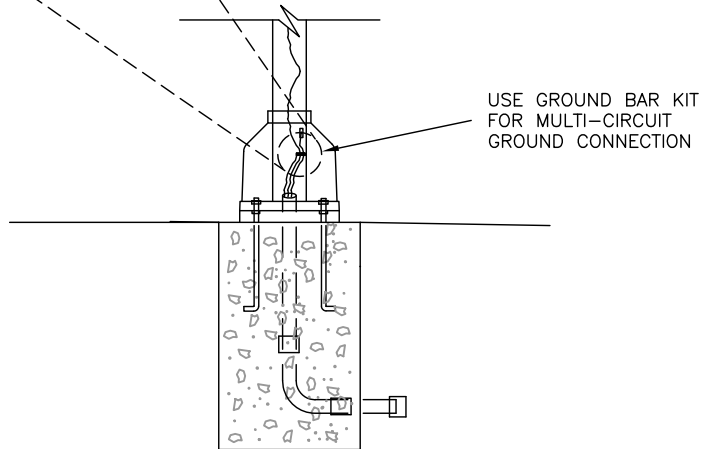
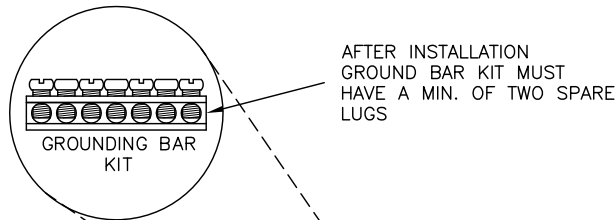


GROUNDING BUS FOR
JUNCTION BOXES



GROUNDING BUS FOR POLES
REQUIRING ELECTRICAL WIRING

NOTES:

1. MULTIPLE GROUND WIRES INSIDE JUNCTION BOXES AND POLES SHALL BE MECHANICALLY CONNECTED USING A MULTI-CIRCUIT GROUND BAR KIT, THE USE OF WIRE NUT, SPLIT BOLT OR CRIMP CONNECTORS IS STRICTLY PROHIBITED.
2. SERVICE PEDESTAL WIRING SHALL CONFORM TO THE WIRING DIAGRAMS SHOWN ON STANDARD DRAWINGS N-1125 AND N-1126 AS DIRECTED BY THE CITY OF NAMPA TRAFFIC DIVISION.

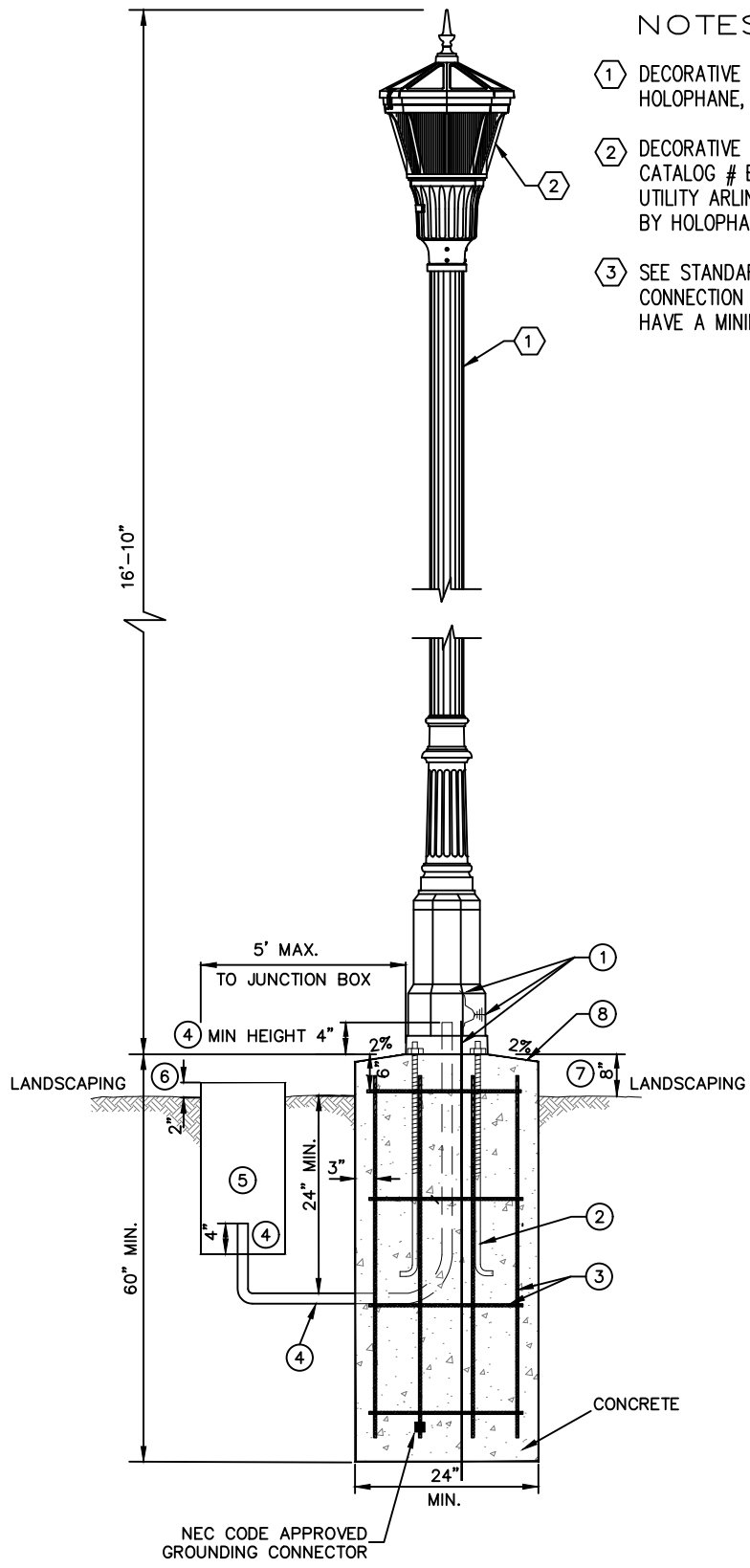
NOT TO SCALE

2012 REVISION

CITY OF NAMPA

GROUNDING BUS
DETAIL

STANDARD DRAWING
NO. N-1115



NOTES:

- ① DECORATIVE POLE FOR THE CITY OF NAMPA SHALL BE BY HOLOPHANE, CATALOG # BLA14 L4E 11 P07 BK R162B FGIUS-S.
- ② DECORATIVE FIXTURES FOR DECORATIVE-TYPE POLE BY HOLOPHANE, CATALOG # BLA14 L4E 11 P07 BK R162B FGIUS-S. LIGHTING SHALL BE A UTILITY ARLINGTON SERIES, CATALOG # ARUE2 P30 40K AS GL3 BK S P7 BY HOLOPHANE.
- ③ SEE STANDARD DRAWING NO. N-1115 FOR MULTI-CIRCUIT GROUNDING CONNECTION REQUIREMENTS. AFTER INSTALLATION GROUND BAR KIT MUST HAVE A MINIMUM OF TWO SPARE LUGS.

LEGEND

- ① GROUNDING METAL POLE. BOND TO POLE & FIXTURE, INSTALL 5/8" X 8' GROUND ROD OR BOND #6 BARE GROUND WIRE TO BOTTOM OF POLE BASE CONCRETE CAGE PER NATIONAL ELECTRICAL CODE.
- ② ANCHOR BOLTS. 3/4" DIA. X 25" MIN. OR AS SPECIFIED BY MANUFACTURER.
- ③ #4 REBAR REQUIRED:
1) 4-HOOP 16"-18" DIA., SPACED 16" ON CENTER.
2) 6-VERTICAL UPRIGHT SUPPORTS 54" IN LENGTH.
- ④ 1" CONDUIT SHALL BE A MIN. OF 4" IN J- BOX AND LIGHT POLE WITH BELL END INSTALLED.
- ⑤ A. J-BOXES SHALL BE WITHIN 5' OF ALL STREET LIGHT POLES.
B. J-BOXES SHALL BE A CONCRETE JUNCTION BOX (S-20T OR S-40T) OR (S-20T/ADA OR S-40T/ADA) MANUFACTURED BY OLD CASTLE, IDAHO PRECAST OR AN APPROVED SUBSTITUTION.
- ⑥ J-BOX SHALL BE 2" ABOVE SURROUNDING GROUND.
- ⑦ POLE BASE SHALL BE 8" ABOVE LANDSCAPE.
- ⑧ EXPOSED PORTION OF CONCRETE SHALL BE TROWELED, BRUSHED, EDGED AND FINISHED. CONCRETE SHALL BE PROMPTLY CLEANED FROM THE EXPOSED PORTION OF THE ANCHOR BOLTS AND CONDUIT AFTER PLACEMENT.

NOT TO SCALE

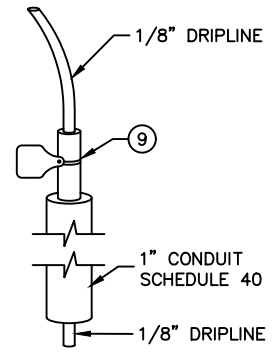
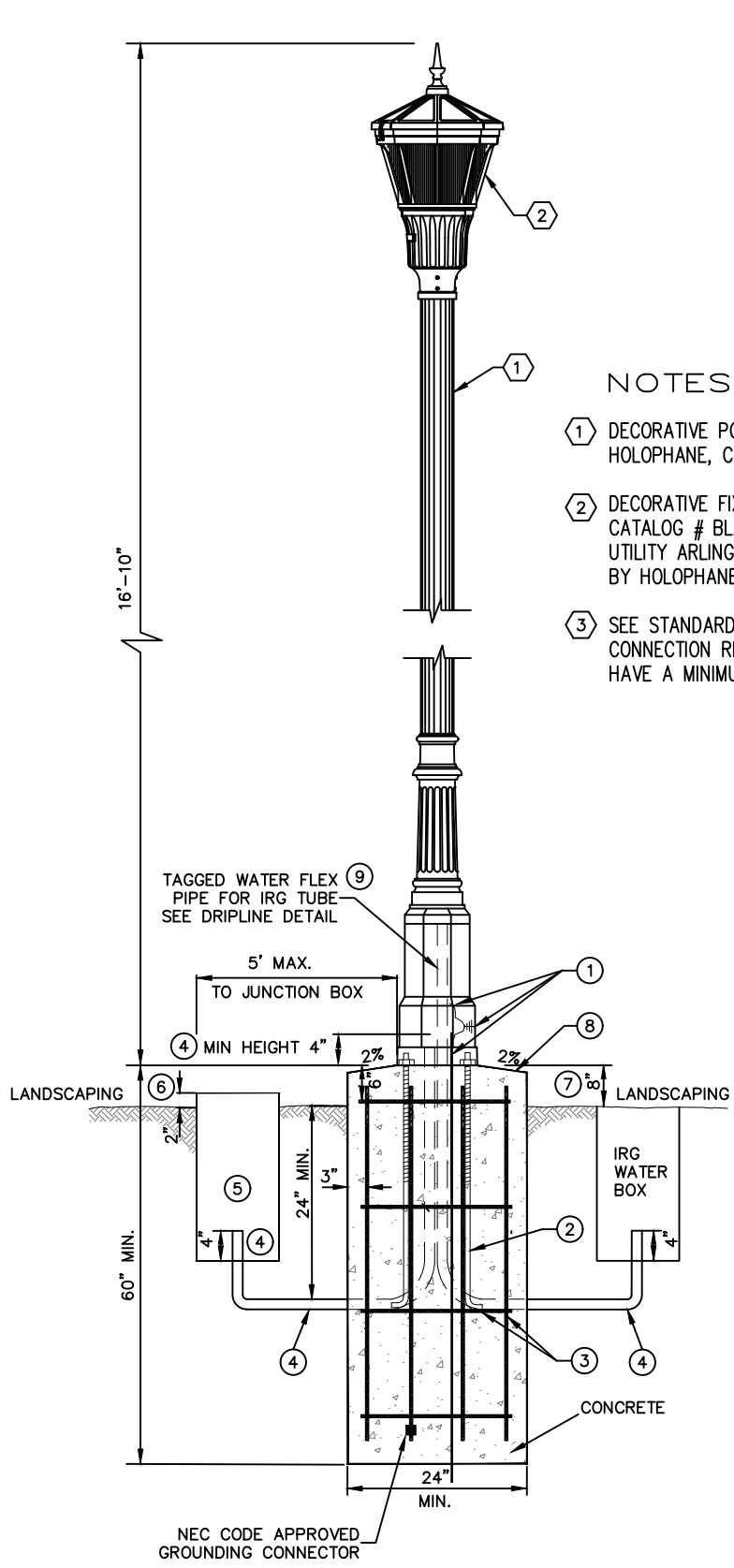
2020 REVISION

CITY OF NAMPA

DECORATIVE STREET LIGHT
POLE BASE/ 8" ABOVE LANDSCAPE

STANDARD DRAWING
NO. N-1134A

E:\NAMPA CITY PROJECT\NAMPA SUPPLEMENTAL STANDARDS\TRAFFIC\N-1134A.DWG



DRIPLINE DETAIL

NOTES:

- ① DECORATIVE POLE FOR THE CITY OF NAMPA SHALL BE BY HOLOPHANE, CATALOG # BLA14 L4E 11 P07 BK R162B FGIUS-S.
- ② DECORATIVE FIXTURES FOR DECORATIVE-TYPE POLE BY HOLOPHANE, CATALOG # BLA14 L4E 11 P07 BK R162B FGIUS-S. LIGHTING SHALL BE A UTILITY ARLINGTON SERIES, CATALOG # ARUE2 P30 40K AS GL3 BK S P7 BY HOLOPHANE.
- ③ SEE STANDARD DRAWING NO. N-1115 FOR MULTI-CIRCUIT GROUNDING CONNECTION REQUIREMENTS. AFTER INSTALLATION GROUND BAR KIT MUST HAVE A MINIMUM OF TWO SPARE LUGS.

LEGEND

- ① GROUNDING METAL POLE. BOND TO POLE & FIXTURE, INSTALL 5/8" X 8' GROUND ROD OR BOND #6 BARE GROUND WIRE TO BOTTOM OF POLE BASE CONCRETE CAGE PER NATIONAL ELECTRICAL CODE.
- ② ANCHOR BOLTS. 3/4" DIA. X 25" MIN. OR AS SPECIFIED BY MANUFACTURER.
- ③ #4 REBAR REQUIRED:
1) 4-HOOP 16"-18" DIA., SPACED 16" ON CENTER.
2) 6-VERTICAL UPRIGHT SUPPORTS 54" IN LENGTH.
- ④ 1" CONDUIT SHALL BE A MIN. OF 4" IN J- BOX AND LIGHT POLE WITH BELL END INSTALLED.
- ⑤ A. J-BOXES SHALL BE WITHIN 5' OF ALL STREET LIGHT POLES.
B. J-BOXES SHALL BE A CONCRETE JUNCTION BOX (S-20T OR S-40T) OR (S-20T/ADA OR S-40T/ADA) MANUFACTURED BY OLD CASTLE, IDAHO PRECAST OR AN APPROVED SUBSTITUTION.
- ⑥ J-BOX SHALL BE 2" ABOVE SURROUNDING GROUND.
- ⑦ POLE BASE SHALL BE 8" ABOVE LANDSCAPE.
- ⑧ EXPOSED PORTION OF CONCRETE SHALL BE TROWELED, BRUSHED, EDGED AND FINISHED. CONCRETE SHALL BE PROMPTLY CLEANED FROM THE EXPOSED PORTION OF THE ANCHOR BOLTS AND CONDUIT AFTER PLACEMENT.
- ⑨ 1/2" WATER PIPE SLEEVE. MUST BE WRAPPED IN SCOTCH VINYL ELECTRICAL TAPE, 3/4" BY 7-MIL, COLOR VIOLET. SHALL HAVE NON-POTABLE PURPLE TAG ZIP TIED AROUND TAPE AND SLEEVE STATING "WARNING RECLAIMED WATER, DO NOT DRINK, AVISO AGUA IMPURA NO TOMAR"

NOT TO SCALE

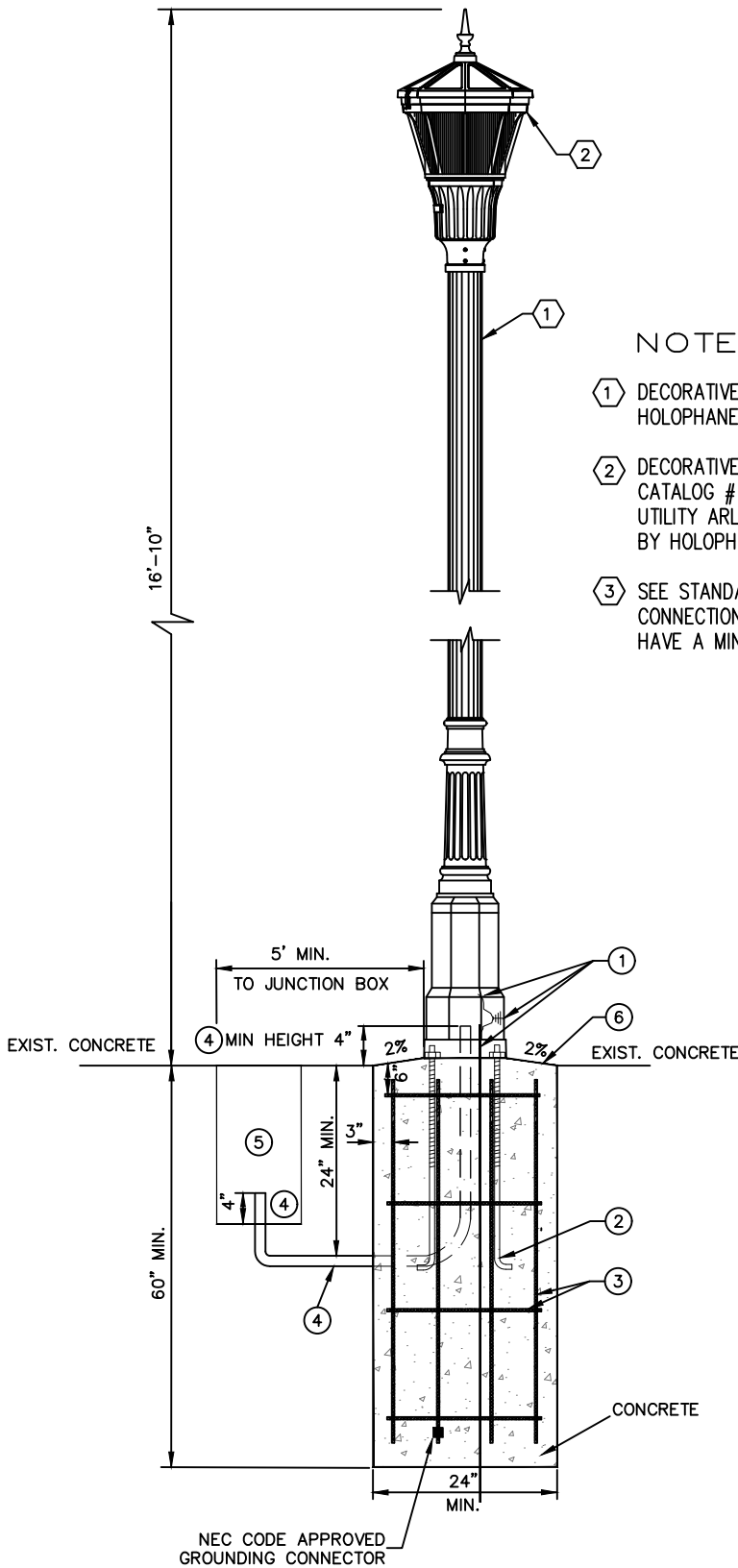
2020 REVISION

E:\NAMPA CITY PROJECT\NAMPA - SUPPLEMENTAL STANDARDS\TRAFFIC\N-1134A.DWG

CITY OF NAMPA

DECORATIVE STREET LIGHT POLE BASE /
8" ABOVE LANDSCAPE WITH IRRIGATION
WATER DRIP LINE INSTALLED

STANDARD DRAWING
NO. N-1134A-1



NOTES:

- ① DECORATIVE POLE FOR THE CITY OF NAMPA SHALL BE BY HOLOPHANE, CATALOG # BLA14 L4E 11 P07 BK R162B FGIUS-S.
- ② DECORATIVE FIXTURES FOR DECORATIVE-TYPE POLE BY HOLOPHANE, CATALOG # BLA14 L4E 11 P07 BK R162B FGIUS-S. LIGHTING SHALL BE A UTILITY ARLINGTON SERIES, CATALOG # ARUE2 P30 40K AS GL3 BK S P7 BY HOLOPHANE.
- ③ SEE STANDARD DRAWING NO. N-1115 FOR MULTI-CIRCUIT GROUNDING CONNECTION REQUIREMENTS. AFTER INSTALLATION GROUND BAR KIT MUST HAVE A MINIMUM OF TWO SPARE LUGS.

LEGEND

- ① GROUNDING METAL POLE. BOND TO POLE & FIXTURE, INSTALL 5/8" X 8' GROUND ROD OR BOND #6 BARE GROUND WIRE TO BOTTOM OF POLE BASE CONCRETE CAGE PER NATIONAL ELECTRICAL CODE.
- ② ANCHOR BOLTS. 3/4" DIA. X 25" MIN. OR AS SPECIFIED BY MANUFACTURER.
- ③ #4 REBAR REQUIRED:
 - 1) 4-HOOP 16"-18" DIA., SPACED 16" ON CENTER.
 - 2) 6-VERTICAL UPRIGHT SUPPORTS 54" IN LENGTH.
- ④ 1" CONDUIT SHALL BE A MIN. OF 4" IN J- BOX AND LIGHT POLE WITH BELL END INSTALLED.
- ⑤ A. J-BOXES SHALL BE WITHIN 5' OF ALL STREET LIGHT POLES.
 B. J-BOXES SHALL BE A CONCRETE JUNCTION BOX (S-20T OR S-40T) OR (S-20T/ADA OR S-40T/ADA) MANUFACTURED BY OLD CASTLE, IDAHO PRECAST OR AN APPROVED SUBSTITUTION.
- ⑥ EXPOSED PORTION OF CONCRETE SHALL BE TROWELED, BRUSHED, EDGED AND FINISHED. CONCRETE SHALL BE PROMPTLY CLEANED FROM THE EXPOSED PORTION OF THE ANCHOR BOLTS AND CONDUIT AFTER PLACEMENT.

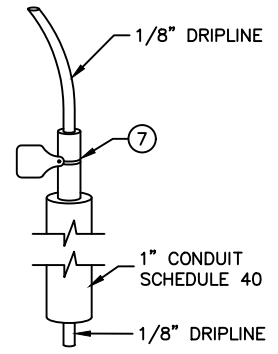
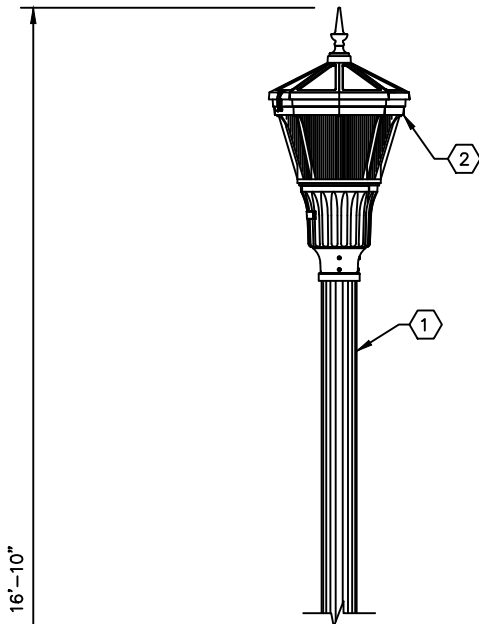
NOT TO SCALE

2014 REVISION

CITY OF NAMPA

DECORATIVE STREET LIGHT
POLE BASE - AT GRADE

STANDARD DRAWING
NO. N-1134B



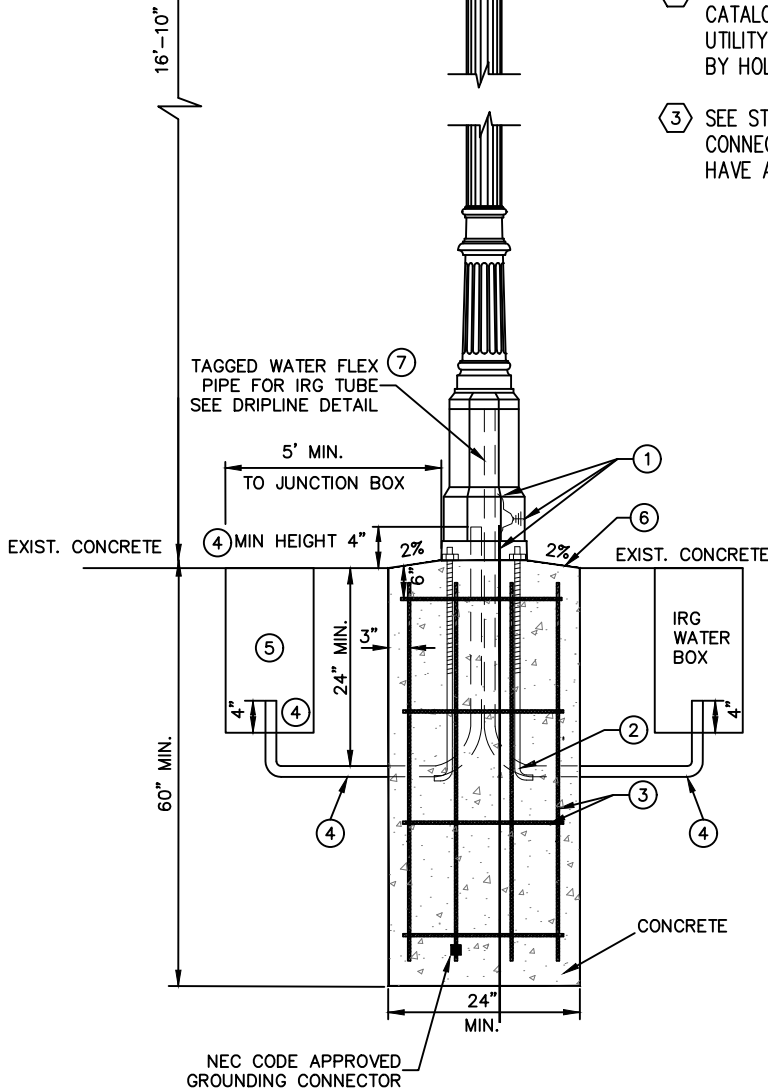
DRIPLINE DETAIL

NOTES:

- ① DECORATIVE POLE FOR THE CITY OF NAMPA SHALL BE BY HOLOPHANE, CATALOG # BLA14 L4E 11 P07 BK R162B FGIUS-S.
- ② DECORATIVE FIXTURES FOR DECORATIVE-TYPE POLE BY HOLOPHANE, CATALOG # BLA14 L4E 11 P07 BK R162B FGIUS-S. LIGHTING SHALL BE A UTILITY ARLINGTON SERIES, CATALOG # ARUE2 P30 40K AS GL3 BK S P7 BY HOLOPHANE.
- ③ SEE STANDARD DRAWING NO. N-1115 FOR MULTI-CIRCUIT GROUNDING CONNECTION REQUIREMENTS. AFTER INSTALLATION GROUND BAR KIT MUST HAVE A MINIMUM OF TWO SPARE LUGS.

LEGEND

- ① GROUNDING METAL POLE. BOND TO POLE & FIXTURE, INSTALL 5/8" X 8' GROUND ROD OR BOND #6 BARE GROUND WIRE TO BOTTOM OF POLE BASE CONCRETE CAGE PER NATIONAL ELECTRICAL CODE.
- ② ANCHOR BOLTS. 3/4" DIA. X 25" MIN. OR AS SPECIFIED BY MANUFACTURER.
- ③ #4 REBAR REQUIRED:
1) 4-HOOP 16"-18" DIA., SPACED 16" ON CENTER.
2) 6-VERTICAL UPRIGHT SUPPORTS 54" IN LENGTH.
- ④ 1" CONDUIT SHALL BE A MIN. OF 4" IN J- BOX AND LIGHT POLE WITH BELL END INSTALLED.
- ⑤ A. J-BOXES SHALL BE WITHIN 5' OF ALL STREET LIGHT POLES.
B. J-BOXES SHALL BE A CONCRETE JUNCTION BOX (S-20T OR S-40T) OR (S-20T/ADA OR S-40T/ADA) MANUFACTURED BY OLD CASTLE, IDAHO PRECAST OR AN APPROVED SUBSTITUTION.
- ⑥ EXPOSED PORTION OF CONCRETE SHALL BE TROWELED, BRUSHED, EDGED AND FINISHED. CONCRETE SHALL BE PROMPTLY CLEANED FROM THE EXPOSED PORTION OF THE ANCHOR BOLTS AND CONDUIT AFTER PLACEMENT.
- ⑦ 1/2" WATER PIPE SLEEVE. MUST BE WRAPPED IN SCOTCH VINYL ELECTRICAL TAPE, 3/4" BY 7-MIL, COLOR VIOLET. SHALL HAVE NON-POTABLE PURPLE TAG ZIP TIED AROUND TAPE AND SLEEVE STATING "WARNING RECLAIMED WATER, DO NOT DRINK, AVISO AGUA IMPURA NO TOMAR"



NOT TO SCALE

2014 REVISION

E:\NAMPA CITY PROJECT\NAMPA SUPPLEMENTAL STANDARDS\TRAFFIC\N-1134B.DWG

CITY OF NAMPA

DECORATIVE STREET LIGHT POLE BASE - AT
GRADE WITH IRRIGATION WATER
DRIP LINE INSTALLED

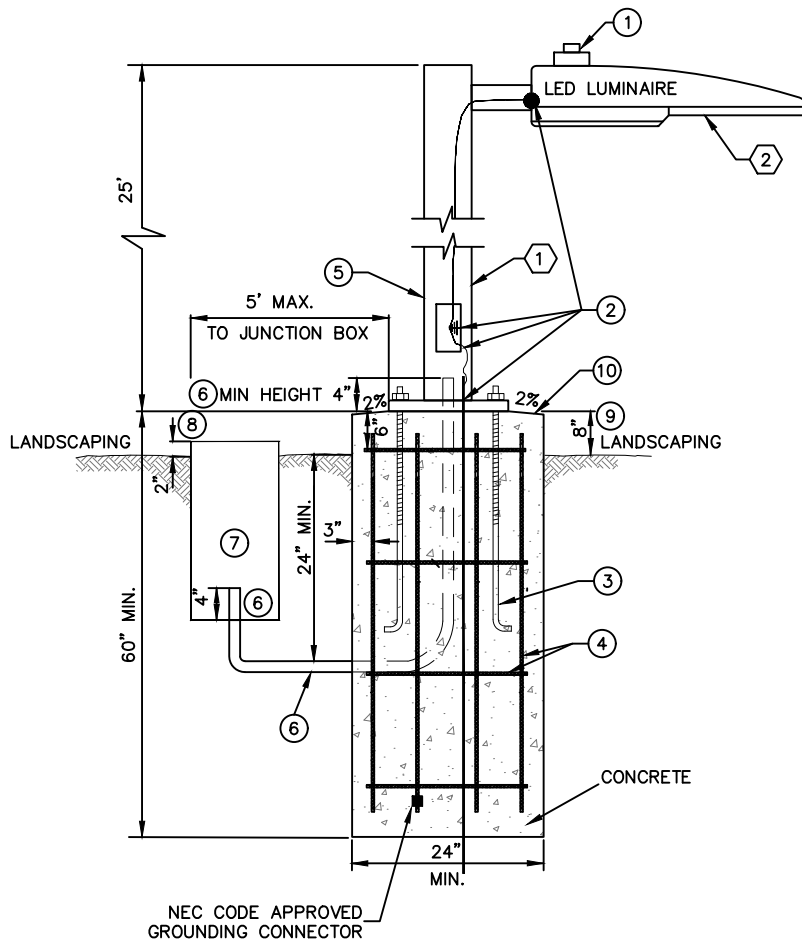
STANDARD DRAWING
NO. N-1134B-1

NOTES:

- ① POLES OTHER THAN IDAHO POWER CO. POLES OR DECORATIVE TYPE POLES SHALL BE SSP25-4.0-11-BRZ BY KW INDUSTRIES.
- ② FIXTURES FOR POLES OTHER THAN DECORATIVE TYPE POLES OR IDAHO POWER POLES SHALL BE ATBO 10B 1500 R3 DDB P7 SH UMS DDB 8" FOR RESIDENTIAL AREAS AND ATBO 30B 1500 R3 DDB P7 SH UMS DDB 8" FOR ARTERIAL AND COLLECTOR ROADS AS MANUFACTURED BY AEL AMERICAN ELECTRICAL LIGHTING.
- ③ SEE STANDARD DRAWING NO. N-1115 FOR MULTI-CIRCUIT GROUNDING CONNECTION REQUIREMENTS. AFTER INSTALLATION GROUND BAR KIT MUST HAVE A MINIMUM OF TWO SPARE LUGS.

LEGEND

- ① PHOTOCELL.
- ② GROUNDING METAL POLE. BOND TO POLE & FIXTURE, INSTALL 5/8" X 8" GROUND ROD OR BOND #6 BARE GROUND WIRE TO BOTTOM OF POLE BASE CONCRETE CAGE PER NATIONAL ELECTRICAL CODE.
- ③ ANCHOR BOLTS. 3/4" DIA. X 25" MIN. OR AS SPECIFIED BY MANUFACTURER.
- ④ #4 REBAR REQUIRED:
1) 4-HOOP 16"-18" DIA., SPACED 16" ON CENTER.
2) 6-VERTICAL UPRIGHT SUPPORTS 54" IN LENGTH.
- ⑤ ALL METAL STREET LIGHT POLES (EXCEPT DECORATIVE-TYPE POLES) SHALL BE A MIN. HEIGHT OF 25'.
- ⑥ 1" CONDUIT SHALL BE A MIN. 4" IN J-BOX AND LIGHT POLE WITH BELL END INSTALLED.
- ⑦ A. J-BOXES SHALL BE WITHIN 5' OF ALL STREET LIGHT POLES.
B. J-BOXES SHALL BE A CONCRETE JUNCTION BOX (S-20T OR S-40T) OR (S-20T/ADA OR S-40T/ADA) MANUFACTURED BY OLDCASTLE, IDAHO PRECAST CONCRETE OR AN APPROVED SUBSTITUTION.
- ⑧ J-BOX SHALL BE 2" ABOVE SURROUNDING GROUND.
- ⑨ POLE BASE SHALL BE 8" ABOVE LANDSCAPE.
- ⑩ EXPOSED PORTION OF CONCRETE FOUNDATIONS SHALL BE TROWELED, BRUSHED, EDGED AND FINISHED. CONCRETE SHALL BE PROMPTLY CLEANED FROM THE EXPOSED PORTION OF THE ANCHOR BOLTS AND CONDUIT AFTER PLACEMENT.



NOT TO SCALE

2020 REVISION

CITY OF NAMPA

25' STANDARD STREET LIGHT
POLE BASE/ 8" ABOVE LANDSCAPE

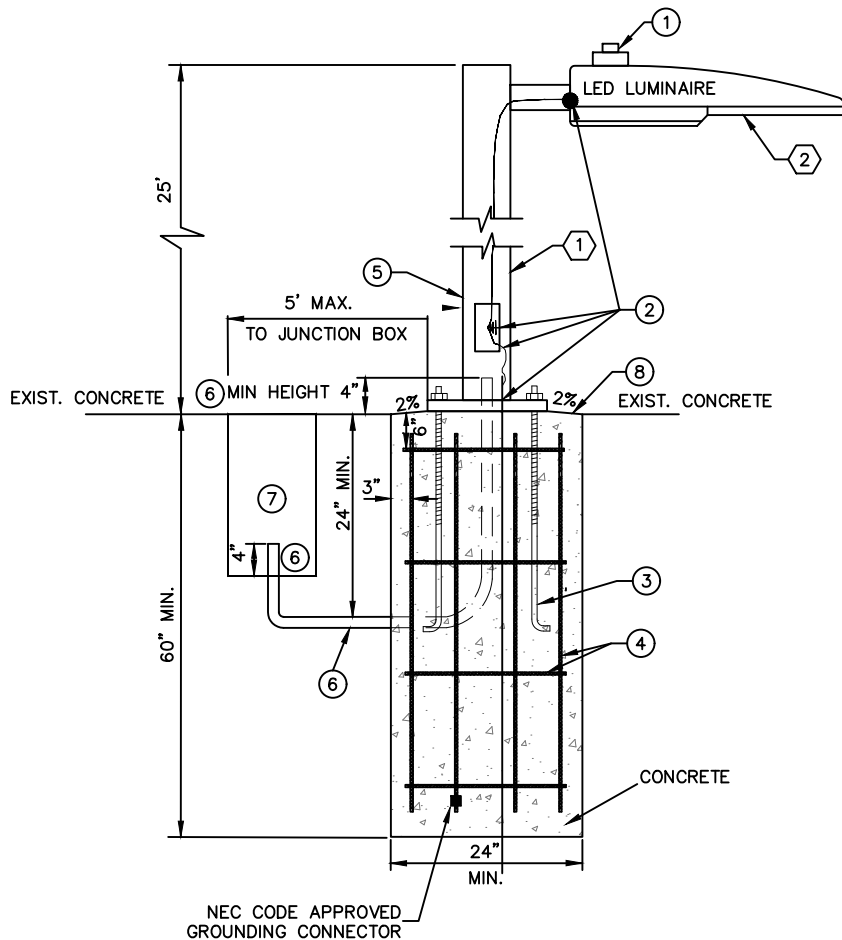
STANDARD DRAWING
NO. N-1135A

NOTES:

- ① POLES OTHER THAN IDAHO POWER CO. POLES OR DECORATIVE TYPE POLES SHALL BE SSP25-4.0-11-BRZ BY KW INDUSTRIES.
- ② FIXTURES FOR POLES OTHER THAN DECORATIVE TYPE POLES OR IDAHO POWER POLES SHALL BE ATBO 10B 1500 R3 DDB P7 SH UMS DDB 8" FOR RESIDENTIAL AREAS AND ATBO 30B 1500 R3 DDB P7 SH UMS DDB 8" FOR ARTERIAL AND COLLECTOR ROADS AS MANUFACTURED BY AEL AMERICAN ELECTRICAL LIGHTING.
- ③ SEE STANDARD DRAWING NO. N-1115 FOR MULTI-CIRCUIT GROUNDING CONNECTION REQUIREMENTS. AFTER INSTALLATION GROUND BAR KIT MUST HAVE A MINIMUM OF TWO SPARE LUGS.

LEGEND

- ① PHOTOCELL.
- ② GROUNDING METAL POLE. BOND TO POLE & FIXTURE, INSTALL 5/8" X 8' GROUND ROD OR BOND #6 BARE GROUND WIRE TO BOTTOM OF POLE BASE CONCRETE CAGE PER NATIONAL ELECTRICAL CODE.
- ③ ANCHOR BOLTS. 3/4" DIA. X 25" MIN. OR AS SPECIFIED BY MANUFACTURER.
- ④ #4 REBAR REQUIRED:
1) 4-HOOP 16"-18" DIA., SPACED 16" ON CENTER.
2) 6-VERTICAL UPRIGHT SUPPORTS 54" IN LENGTH.
- ⑤ ALL METAL STREET LIGHT POLES (EXCEPT DECORATIVE-TYPE POLES) SHALL BE A MIN. HEIGHT OF 25'.
- ⑥ 1" CONDUIT SHALL BE A MIN. 4" IN J-BOX AND LIGHT POLE WITH BELL END INSTALLED.
- ⑦ A. J-BOXES SHALL BE WITHIN 5' OF ALL STREET LIGHT POLES.
B. J-BOXES SHALL BE A CONCRETE JUNCTION BOX (S-20T OR S-40T) OR (S-20T/ADA OR S-40T/ADA) MANUFACTURED BY OLDCASTLE, IDAHO PRECAST CONCRETE OR AN APPROVED SUBSTITUTION.
- ⑧ EXPOSED PORTION OF CONCRETE FOUNDATIONS SHALL BE TROWELED, BRUSHED, EDGED AND FINISHED. CONCRETE SHALL BE PROMPTLY CLEANED FROM THE EXPOSED PORTION OF THE ANCHOR BOLTS AND CONDUIT AFTER PLACEMENT.



NOT TO SCALE

2020 REVISION

CITY OF NAMPA

25' STANDARD STREET LIGHT
POLE BASE - AT GRADE

STANDARD DRAWING
NO. N-1135B